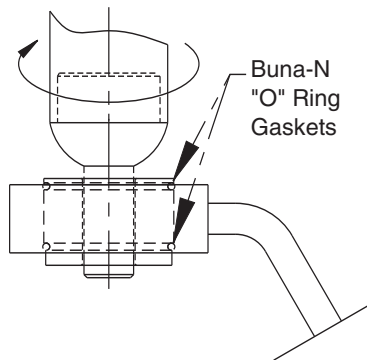


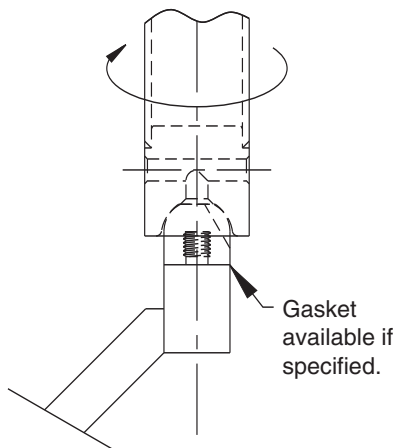


SPECIFICATIONS FOR BEARINGS



STANDARD BEARING, USDA ACCEPTED SCRAPER, SWEEP & HI-MIX AGITATOR

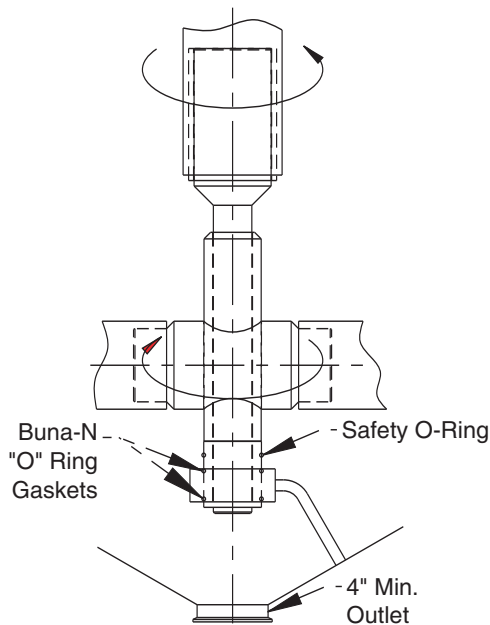
1. bearing material made from Nylon
2. bearing pressed into holder from the bottom
3. normally used in food, beverage, dairy, cosmetic and chemical applications
4. does not require relocation of the agitator to replace bearing
5. designed for CIP applications



OPTION BEARING SCRAPER, SWEEP & HI-MIX

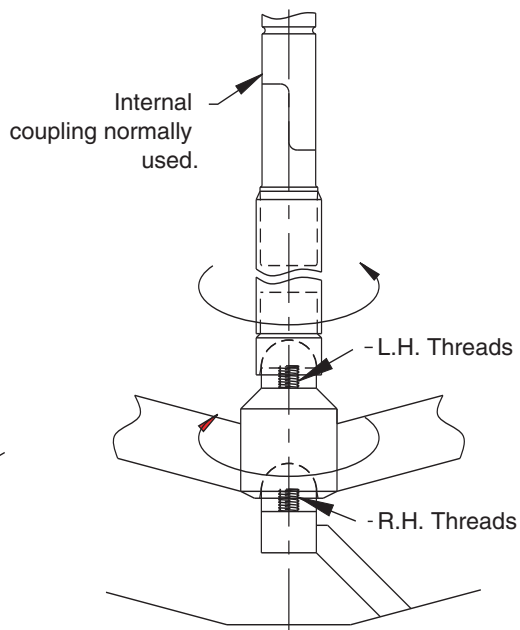
1. bearing material made from Nylon, other materials available upon request
2. bearing screwed into holder from the top
3. normally used in food, beverage, dairy, cosmetic and chemical applications
4. requires relocation of the agitator to replace bearing unless internal coupling is used
5. designed for CIP applications

SPECIFICATIONS FOR BEARINGS



STANDARD BEARING, USDA ACCEPTED, COUNTER ROTATING AGITATOR

1. bearing material made from Nylon
2. bearing pressed into holder from the bottom and secured with an "O" seal
3. bearing housing is supported by legs extending from vessel bottom (center vessel outlet design)
4. normally used in food, beverage, dairy, cosmetic and chemical applications
5. does not require relocation of the agitator to replace bearing
6. designed for CIP applications

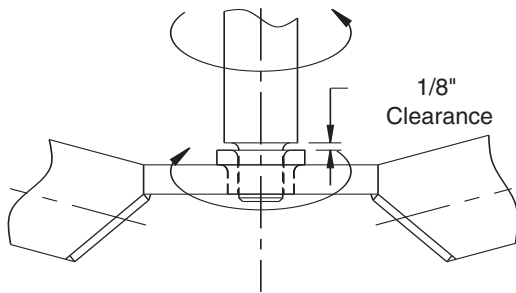


OPTION BEARING, COUNTER ROTATING AGITATOR

1. bearing material made from Nylon and secured with thread.
2. bearing housing is supported from vessel bottom
3. normally used in food, beverage, dairy, cosmetic and chemical applications



SPECIFICATIONS FOR BEARINGS



OPTION BEARING, COUNTER ROTATING AGITATOR

1. bearing material made from Rulon 641
2. bearing is a press fit from the top
3. bearing housing is not supported from vessel bottom (top supported agitator assembly)
4. typically used in vessels of capacity less than 600 gallons
5. normally used in food, beverage, dairy, cosmetic and chemical applications
6. designed for CIP applications